

## Product Highlights

### Wireless AC and Gigabit Ethernet

Get the most out of your broadband connection by enjoying high-bandwidth applications like HD, 4K, and 3D video anywhere in your home

### Dual-band Wi-Fi for Seamless Performance

Two concurrent wireless networks for higher bandwidth, improved range, and backward compatibility

### Simple Setup

Set up the DIR-882 in no time with the web-based setup wizard, and create wireless connections easily using Wi-Fi Protected Setup (WPS)



## DIR-882

# AC2600 MU-MIMO Wi-Fi Gigabit Router

## Features

### Connectivity

- 802.11ac wireless specification delivers blazing fast wireless connectivity with increased range and reliability
- 10/100/1000 Gigabit Ethernet WAN port for fast-paced Internet access
- Four 10/100/1000 Gigabit Ethernet LAN ports give you high-speed wired connectivity
- One Super Speed USB 3.0 port and one USB 2.0 port to share media from a storage device

### Flexible Bandwidth

- Concurrent dual-band wireless for connections up to 2600 Mbps<sup>1</sup>
- QoS engine to prioritize important traffic and deliver uninterrupted bandwidth

### Setup and Management

- Web browser-based setup and configuration
- Intuitive setup wizard to guide you through the configuration process
- Firewall and access control options to prevent attacks and restrict access to your network

The DIR-882 AC2600 MU-MIMO Wi-Fi Gigabit Router is a powerful wireless networking solution designed for Small Office/Home Office (SOHO) environments. By combining high-speed 802.11ac Wi-Fi with dual-band technology and Gigabit Ethernet ports, the DIR-882 provides a seamless networking experience with a high degree of convenience and flexibility for SOHOs. The DIR-882's SOHO-class advanced security features help keep data safe from unwanted network intruders. These features together with the increased range and reliability of Wireless AC technology, help provide a safe and protected network for devices in your home or office.

## High-Speed Wired and Wireless Connectivity

The DIR-882 upgrades your network to the latest dual-band high-speed wireless technology to bring you lightning-fast Wi-Fi speeds of up to 2,600 Mbps<sup>1</sup> so you can meet the increasing demand from multimedia applications. Enjoy seamless high definition streaming media, Internet phone calls, online gaming, and content-rich web surfing throughout your home or office. In addition, 10/100/1000 Gigabit Ethernet ports give you solid, dependable wired performance for devices such as Network Attached Storage (NAS), media centers, and gaming consoles. The built-in Quality of Service (QoS) engine allows you to prioritize important traffic to ensure that your favorite applications are receiving optimal bandwidth.

## Smooth Streaming with Wireless 802.11ac Wave II

The DIR-882 brings a host of new technologies to create the best wireless networking experience to date. With 802.11ac Wave II technology, the DIR-882 provides Gigabit wireless connectivity with combined transfer rates of up to 2,600 Mbps<sup>1</sup> (1732 Mbps Wireless AC + 800 Mbps Wireless N)<sup>2</sup>. Featuring a 4x4 MU-MIMO antenna configuration, the DIR-882 offers better data rates, fewer dead-spots, more coverage, and increased reliability. Upgrade your home or office with the latest AC wave II technology by matching the DIR-882 AC2600 MU-MIMO Wi-Fi Gigabit Routers with AC wave II devices like the DWA-192 AC1900 Wi-Fi USB 3.0 Adapter to take full advantage of this speed.

### Hassle-Free D-Link Smart Connect Technology

Ever since the introduction of 5 GHz wireless technology, users have had to blindly guess whether the 5 GHz or 2.4 GHz band would provide them with the best networking experience. D-Link's Smart Connect Technology eliminates this confusion by automatically distributing devices to the optimal network. Simply initiate a connection to the DIR-882 and its advanced algorithms will determine the best network for your device to connect to, thereby ensuring a faster, more reliable, and hassle-free experience for your friends, colleagues, and family.

### Easy to Set Up and Protect

Sharing your Internet connection doesn't have to be a complicated process; just open a web browser to access the setup wizard and follow the easy step-by-step instructions to get started. Configure, apply, and set up WPA/WPA2 wireless security in minutes with the wireless network setup wizard, or use Wi-Fi Protected Setup (WPS), which establishes an encrypted connection to new devices without the need to enter settings or create passwords. In addition, the built-in firewall requires no setup, protecting you against malicious attacks from the Internet, and access control features allow you to restrict access to your network giving you greater control over network users.

### File Sharing Right at Your Fingertips

The DIR-882 lets you connect a USB storage device and instantly share documents, movies, pictures, and music. You can put your music library on a USB drive and share it with your entire home. You can show photos on the living room TV while a family member watches a movie on their computer. You can stream media files to multiple devices without interruption, or save them to your device for offline playback. The intuitive interface lets anyone immediately connect to a variety of entertainment options stored on your own storage device.

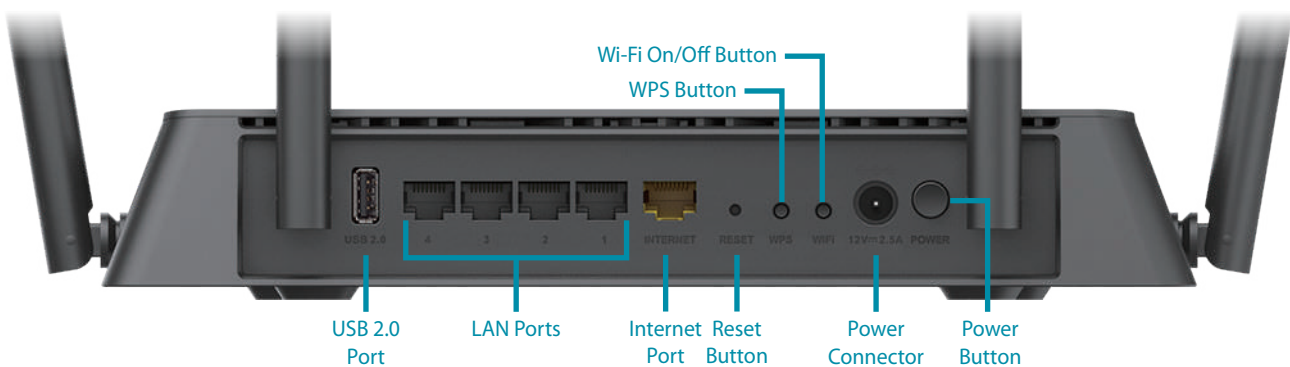
### Designed for Optimal Wireless Coverage

The DIR-882's antennas have been carefully placed to ensure that you will have little to no dead zones in any environment. The DIR-882 sends the signal into the farthest corners of your home. Furthermore, because of the design of the placement of internal antennas, you can rest assured that the AC2600 MU-MIMO Wi-Fi Gigabit Router will achieve the best possible performance no matter where you place it.

Front View



Back View



# DIR-882 AC2600 MU-MIMO Wi-Fi Gigabit Router

Technical Specifications		
General		
Device Interfaces	<ul style="list-style-type: none"> <li>• IEEE 802.11 ac/n/g/b/a wireless LAN</li> <li>• 10/100/1000 Gigabit Ethernet WAN port</li> </ul>	<ul style="list-style-type: none"> <li>• Four 10/100/1000 Gigabit Ethernet LAN ports</li> </ul>
LEDs	<ul style="list-style-type: none"> <li>• Power</li> <li>• Internet</li> <li>• 2.4 GHz WLAN</li> </ul>	<ul style="list-style-type: none"> <li>• 5 GHz WLAN</li> <li>• USB Super Speed 3.0</li> <li>• USB 2.0</li> </ul>
Antenna Type	<ul style="list-style-type: none"> <li>• Four external antennas</li> </ul>	
Data Signal Rate	<ul style="list-style-type: none"> <li>• 2.4 GHz</li> <li>• Up to 800 Mbps<sup>1</sup></li> </ul>	<ul style="list-style-type: none"> <li>• 5 GHz</li> <li>• Up to 1,732 Mbps<sup>1</sup></li> </ul>
Standards	<ul style="list-style-type: none"> <li>• IEEE 802.11ac</li> <li>• IEEE 802.11n</li> <li>• IEEE 802.11g</li> <li>• IEEE 802.3ab</li> </ul>	<ul style="list-style-type: none"> <li>• IEEE 802.11b</li> <li>• IEEE 802.11a</li> <li>• IEEE 802.11d</li> <li>• IEEE 802.3u</li> </ul>
Minimum Requirements	<ul style="list-style-type: none"> <li>• Windows 10/8.1/8/7/Vista/XP SP3 or MAC OS X 10.6 or higher</li> <li>• Internet Explorer 10, Firefox 28.0, Chrome 28.0, Safari 6.0, or other Java-enabled browser</li> </ul>	<ul style="list-style-type: none"> <li>• Network Interface Card</li> <li>• Cable/DSL modem or other Internet Service Provider equipment with Ethernet port</li> </ul>
Functionality		
Security	<ul style="list-style-type: none"> <li>• WPA &amp; WPA2 (Wi-Fi Protected Access)</li> </ul>	<ul style="list-style-type: none"> <li>• WPS (Wi-Fi Protected Setup)</li> </ul>
Advanced Features	<ul style="list-style-type: none"> <li>• Web setup wizard</li> <li>• QoS (Quality of Service)</li> <li>• DMZ (De-militarized Zone)</li> <li>• Multicast Support</li> </ul>	<ul style="list-style-type: none"> <li>• Firewall - Network Address Translation (NAT)</li> <li>• Guest Zone</li> <li>• IPv6-Ready</li> </ul>
Physical		
Dimensions	<ul style="list-style-type: none"> <li>• 258.8 x 184.1 x 45.5 mm (10.1 x 7.2 x 1.8 inches)</li> </ul>	
Weight	<ul style="list-style-type: none"> <li>• 565 grams (1.25 pounds)</li> </ul>	
Power Adaptor	<ul style="list-style-type: none"> <li>• Input: 100 to 240 V AC, 50/60 Hz</li> </ul>	<ul style="list-style-type: none"> <li>• Output: 12 V, 2.5 A</li> </ul>
Temperature	<ul style="list-style-type: none"> <li>• Operating: 0 to 40 °C (32 to 104 °F)</li> </ul>	<ul style="list-style-type: none"> <li>• Storage: -20 to 65 °C (-4 to 149 °F)</li> </ul>
Humidity	<ul style="list-style-type: none"> <li>• Operating: 10% to 90% non-condensing</li> </ul>	<ul style="list-style-type: none"> <li>• Storage: 5% to 95% non-condensing</li> </ul>
Certifications	<ul style="list-style-type: none"> <li>• FCC</li> <li>• CE<sup>2</sup></li> <li>• C-Tick</li> <li>• S Mark (UL60950)</li> </ul>	<ul style="list-style-type: none"> <li>• Wi-Fi Certified</li> <li>• WPS Setup</li> <li>• IPv6</li> </ul>
Order Information		
<i>Part Number</i>	<i>Description</i>	
DIR-882	AC2600 MU-MIMO Wi-Fi Gigabit Router	

<sup>1</sup> Maximum wireless signal rate derived from IEEE Standard 802.11ac and 802.11n specifications. Actual data throughput will vary. Network conditions and environmental factors, including volume of network traffic, building materials and construction, and network overhead, may lower actual data throughput rate. Environmental factors will adversely affect wireless signal range.

<sup>2</sup> For the EU region, this product is compliant with CE regulations and operates within the following frequency ranges: 2.4 - 2.4835 GHz and 5.150 - 5.250 GHz.

Updated 02/21/2020